

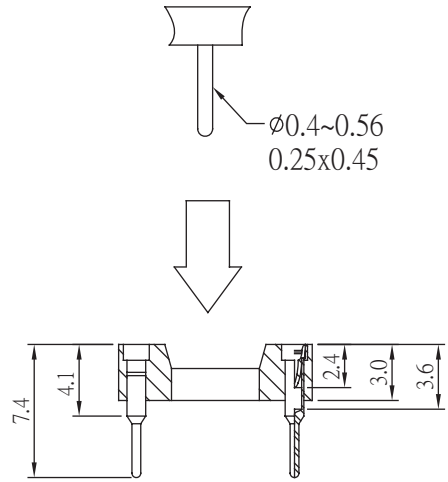
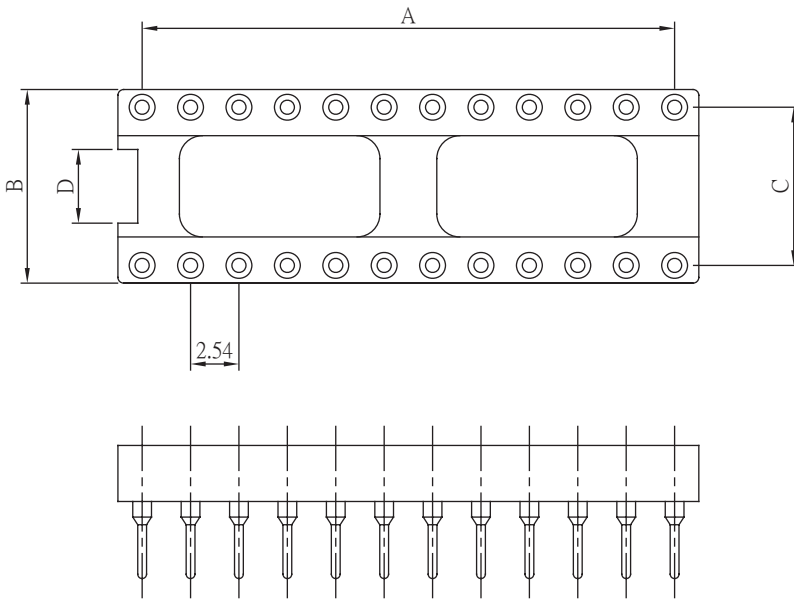
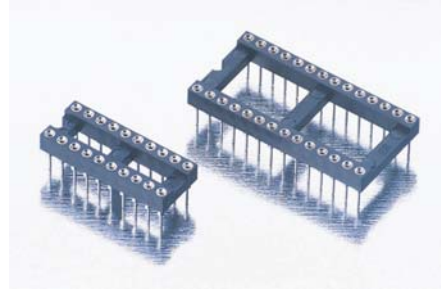
MACHINE PIN SOCKET IC TYPE 2.54mm

SPECIFICATION

Current Rate: 1 AMP
 Insulation Resistance: 1000MΩ Min
 Contact Resistance: 15mΩ Max
 Dielectric voltage: 500V AC for one minute
 Operation Temperature: -55°C to + 125°C

MATERIAL

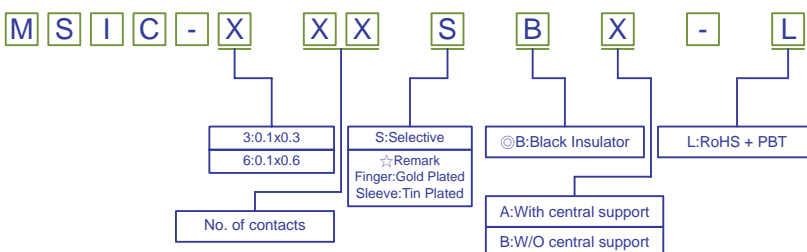
Insulator: PBT UL 94V-0
 Contact pin: BeCu Copper



A, B, C, D Tolerance is ±0.2

No. of conatcts	6	8	10	14	16	18	20	24N	28N	24W	28W	32	36	40	42	48
A	5.08	7.62	10.16	15.24	17.78	20.32	22.86	27.97	33.02	27.97	33.02	38.10	43.18	48.26	50.80	58.42
B									17.74							
C									15.24							
D									11.76							
	MSIC-3XX								MSIC-6XX							

ORDER INFORMATION



©:Standard Recommend

